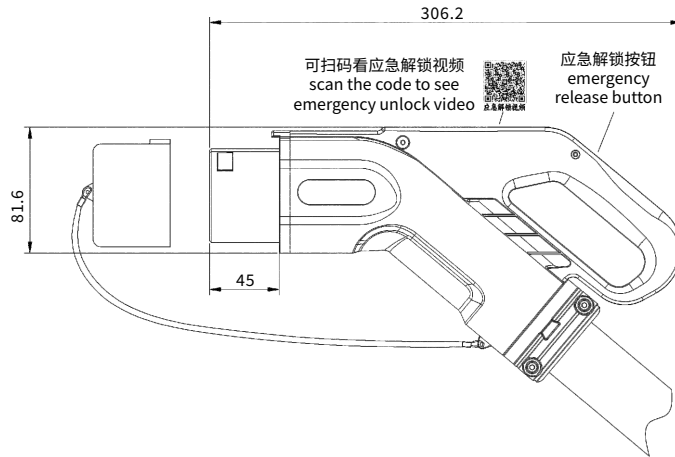
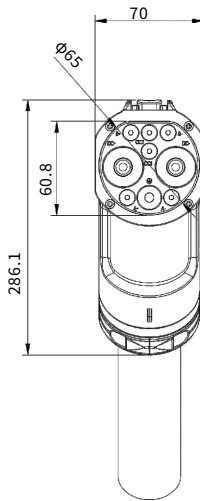
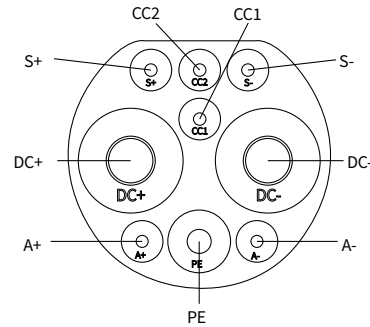


第三款国标直流充电枪

GB/T 20234.3-2015

The Third DC Charging Connector comply with GB/T 20234.3-2015



额定电压 Rated Voltage	750V DC/1000V DC
额定电流 Rated Current	80A/125A/200A/250A
绝缘电阻 Insulation Resistance	≥500MΩ
耐电压 Withstand Voltage	3500V AC
机械寿命 Mechanical Lifetime	≥10000 cycles (no-load)
插拔力 Insertion and Separation Forces	F<140N
防护等级 Protection Degree	IP67
环境温度 Operating Temperature	-30°C~+50°C
湿度 Operating Moisture	5%~95% (40°C)
阻燃等级 Flame Retardant Grade	UL94V-0
锁止机构类型 Type of Locking Mechanism	电磁锁 electromagnetic lock structure